


R74A

Description

Inspectable Y filter, suitable for the distribution of non-hazardous fluids (group 2, according to the PED Directive) which are safe for use with copper alloys. The filter features a metallic mesh, which was designed to prevent solid impurities from entering into the piping and, by depositing residues, reducing the width of the passage, thus increasing losses of pressure and oxidation.

Versions and product codes

Product code	Size
R74AY002	3/8"
R74AY003	1/2"
R74AY004	3/4"
R74AY005	1"
R74AY006	1 1/4"
R74AY007	1 1/2"
R74AY008	2"
R74AY009	2 1/2"
R74AY010	3"
R74AY011	4"

Technical data

- Temperature range: 5÷110 °C
- Max. working pressure: 16 bar
- Connections: female threaded ISO 228
- Filtering capacity: 500 µm

Materials

- Body: brass UNI EN 12165 - CW617N for 3/8"÷1 1/4";
brass EN 1982 - CB7535 for 1 1/2"÷2 1/2";
bronze UNI EN 1982 - CB491K for 3", 4".
- Cap: brass UNI EN 12165 - CW617N
- Gasket: EPDM
- Basket: stainless steel AISI 304

Values in Kv

Product code	Kv	Product code	Kv
R74AY002	3,0	R74AY007	21,0
R74AY003	4,5	R74AY008	34,0
R74AY004	7,0	R74AY009	64,0
R74AY005	7,8	R74AY010	81,0
R74AY006	15,0	R74AY011	102,0

Operation

The R74A filter must always be fitted upstream of all of system components which could become damaged or less effective due to the presence of impurities.

It is usually installed at the entrance to the water supply system before the check valve, preventers and pressure reducers. It can also be used in closed heating circuits at the entrance to the heat generator to protect the exchanger from any impurities originating from the system.

The metallic mesh captures the particles which are bigger than the openings in the mesh; some of the particles get trapped in this mesh and then fall to the bottom. The filter body is designed to make the most of the entire filtering surface, increasing the length of time for which it is functional before the mesh becomes completely covered.

When this occurs, the filter can be extracted and cleaned under running water in order to clear the surface through which the water will pass.

Installation



Warning.

It is recommended that, before installing the filter, the operating conditions of the system are checked, including pressure and temperature, in order to ensure that these are included in the operating range. It is important that the filter is accessible so that any necessary maintenance can be carried out.

For increased efficiency with regard to filtering and deposit of solid impurities, it is advisable to install the filter body on the horizontal piping with the filter removal cap facing downwards.

For correct installation, please check the flow direction indicated by the arrow stamped on the filter body. The valves are fitted onto the piping using threaded connections, according to normal hydraulic practices.



Maintenance

Filter maintenance must be carried out as often as necessary, according to the level of impurities in the fluid being used.

In all cases, it is recommended that the filter is cleaned at least once a year to avoid excessive reductions in flow rate as well as the formation of irreversible build-up which necessitates the replacement of the filter mesh. To clean the metallic mesh, take the following steps:

- Close the filter shut-off valves;
- Open the filter-holder cap and extract the metallic mesh;
- Clean the metallic mesh under running water, using a plastic bristle brush;
- Check that the surface of the filter is completely clean (where irreversible obstructions are present, or where the filter is broken, it will need to be replaced);
- Insert the mesh into the cap and screw the cap onto the filter body;
- Open the shut-off valves;

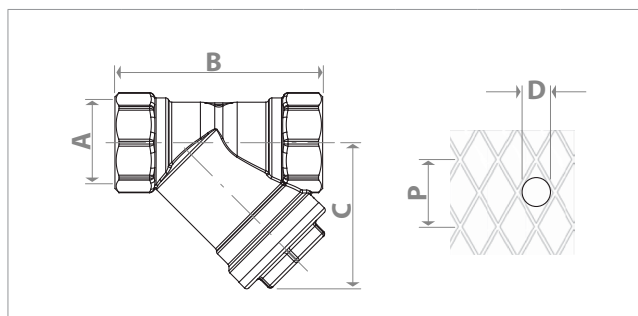


Warning.

After the system filling phase is complete, the filter should be cleaned for the first time after a week of operation, to remove any obstruction from installation residue (metal shavings, sealing elements etc).



Dimensions



Product code	A	B [mm]	C [mm]	P [mm]	D [μm]	N
R74AY002	3/8"	48	33	1	500	70
R74AY003	1/2"	52	34			
R74AY004	3/4"	63	42			
R74AY005	1"	75	50			
R74AY006	1 1/4"	91	63			
R74AY007	1 1/2"	102	70			
R74AY008	2"	118	87			
R74AY009	2 1/2"	150	108			
R74AY010	3"	167	148			
R74AY011	4"	226	185			

P: passage of holes

D: diameter of hole inscribed

N: number of holes per cm²

Product specifications

R74A

Inspectable Y filter with stainless steel basket. Female threaded connection ISO 228. Brass body UNI EN 12165 CW617N for 3/8"÷1 1/4"; brass EN 1982 CB7535 for 1 1/2"÷2 1/2"; bronze UNI EN 1982 CB491K for 3", 4". Cap in brass UNI EN 12165 CW617N. Gasket in EPDM. Temperature range 5÷110 °C. Max. working pressure 16 bar.



PED 97/23/EC

The product illustrated in this technical specification satisfies the requirements of Directive PED 97/23/EC and is exempt from CE marking, according to Article. 3, Paragraph. 3.

Additional information

For additional information please check the website: www.giacomini.com or contact the technical service: ☎ +39 0322 923372 📠 +39 0322 923255 ✉ consulenza.prodotti@giacomini.com
 This pamphlet is merely for information purposes. Giacomini S.p.A. retains the right to make modifications for technical or commercial reasons, without prior notice, to the items described in this pamphlet. The information described in this technical pamphlet does not exempt the user from following carefully the existing regulations and norms on good workmanship.
 Giacomini S.p.A. Via per Alzo, 39 - 28017 San Maurizio d'Opaglio (NO) Italy